

INTERNATIONAL COLLECTION 2027



There's no place like home

GARDEN SHEDS • STORAGE BOXES AND CABINETS • GARAGES



 **Hoggar**[®]

Index



- 04 HOGGAR NATION
- 06 **SUSTAINABILITY**
- 08 TIPS FOR CHOOSING YOUR SHED
- 10 **WHAT DEFINES OUR METAL SHEDS**
- 14 PIONEER COLLECTION SHEDS
- 24 **LUMEN COLLECTION SHEDS**
- 30 CORE COLLECTION SHEDS
- 38 **SKY COLLECTION SHEDS**
- 44 THE HERITAGE WOOD COLLECTION SHEDS
- 52 **HOGAR IN ACTION**
- 54 ALLISTER COLLECTION SHEDS
- 60 **GARAGES COLLECTION**
- 66 SMALL STORAGE COLLECTION
- 76 **DISORDER**
- 78 WHAT DEFINES OUR RESIN SHEDS
- 80 **OAK COLLECTION SHEDS**
- 88 NOVA COLLECTION SHEDS
- 94 **THE SPACE PLUS COLLECTION SHEDS**
- 102 COME HOME!
- 104 **SUMMARY 2027 COLLECTION**



MANUFACTURED AND DISTRIBUTED BY:
Okoru Global S.L.U.
Pol. Ind. Barros nº29. 39408 Barros, Cantabria, España
(+34) 942 842 170 / info@okoru.es

VISIT US:
..... hoggargarden.com



HOGGAR NATION

We are back at home!

W

We've found each other again, and we're happy about it. Every time we launch a new collection, we do it with you in mind. How you live, what you need and how important it is to feel comfortable in your own space.

 **Hoggar**[®]

Our products are made to help you tidy up, gain space and, above all, enjoy your home more. Whether in the garden, on the terrace or in that corner you want to make the most of, in Hoggar you will find practical, beautiful and durable solutions.

As a leading European brand in garden storage solutions, at Hoggar we believe in doing things well and in improving little by little everything we do, that's why we are committed to sustainable materials, responsible decisions and processes that care for the environment.

The sheds, storage boxes and cabinets in metal and resin that we present in the new collection aim to take care of the way you live.

Thank you for letting us into your home



COMITTED TO THE PRESENT

1.

WHAT WE MAKE COUNTS

Smart designs built to last, made from 100% recyclable materials and with minimal maintenance requirements

2.

WHO WE WORK WITH MATTERS

We work with ethical suppliers, promote diversity in our teams and take care of those who make each product possible.

3.

THE PLANET BENEFITS

Commitment to our environment through social impact initiatives to reduce our carbon footprint



CARBON FOOTPRINT REDUCTION

Hoggar

Sustainability

INSPIRE A CHANGE



In order to change the future, you must first think about the present.

“And what can I do?”

Repair, Reuse, Recycle, our mission is to leave our children a better planet, and the time is now.

ACT NOW

We design products that are not only useful, durable and affordable, but also have a positive impact on everyday life. They reduce waste, avoid complications and make it easier to live responsibly, without giving up what you need. At Hoggar we believe that sustainable should be practical. Choosing well should not cost more- or be more difficult. Because when simple and responsible go hand in hand, everyone wins: you, your home and the planet.



Tips for choosing your shed



Garden sheds, cabinets or storages boxes are additional spaces to our house that can be set up in our garden or in our terrace to store and protect furniture, firewood, gardening material or machinery. It can even be used as an annexe to our home.

The following collections and products that will be displayed, will give you an insight on which option will work better for your home. It does not matter the amount of space you need or the type.

We hope that these little tips are of great help

MATERIAL CLASSIFICATION



METAL

Very durable products, resistant to corrosion, humidity and temperature changes. Easy to clean and very low maintenance.



RESIN

Very easy and quick to assemble, maintenance free and resistant to external elements.

SIZE CLASSIFICATION



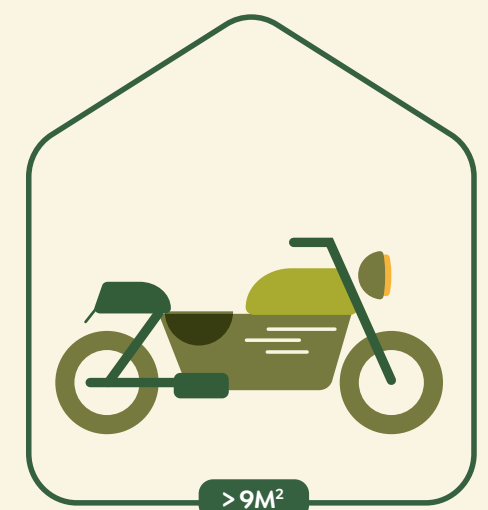
CABINETS, METAL BOXES AND SHEDS UP TO 4,5M²

Mainly designed to store furniture and small tools.



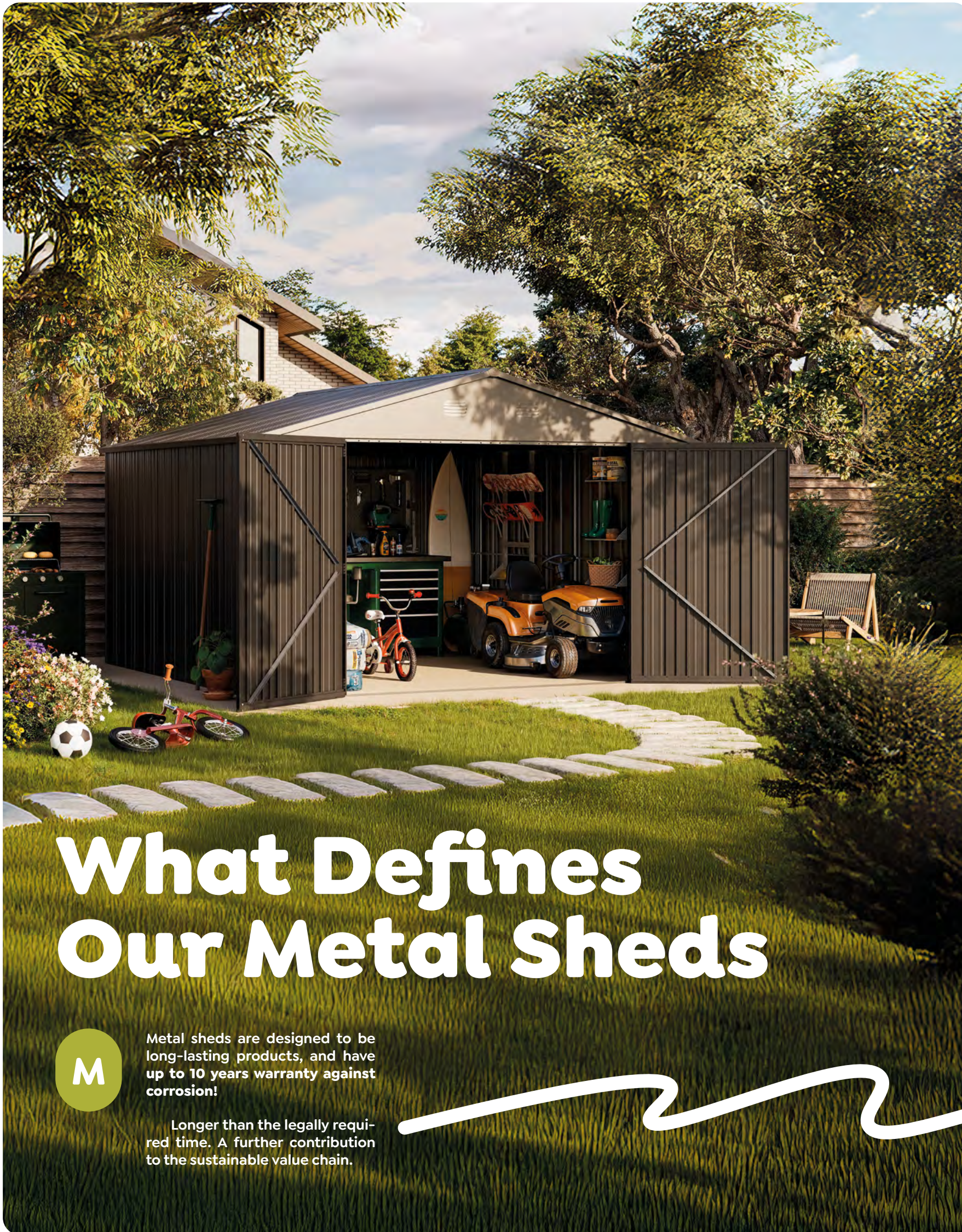
SHEDS FROM 4,5M² TO 9M²

Recommended for storing garden machinery, tools, workbenches, barbecues, ladders or firewood.



SHEDS LARGER THAN 9M² AND GARAGES

To store machinery and large furniture, motorbikes, firewood, or even your car when using a garage. It can also be useful as a storage room or workshop.



What Defines Our Metal Sheds

M

Metal sheds are designed to be long-lasting products, and have up to 10 years warranty against corrosion!

Longer than the legally required time. A further contribution to the sustainable value chain.

ADVANTAGES OF METAL SHEDS



STRONG, ROBUST AND STURDY



LOW MAINTENANCE



100% RECYCLABLE MATERIAL



ALL TYPE WEATHER RESISTANT



SAFE

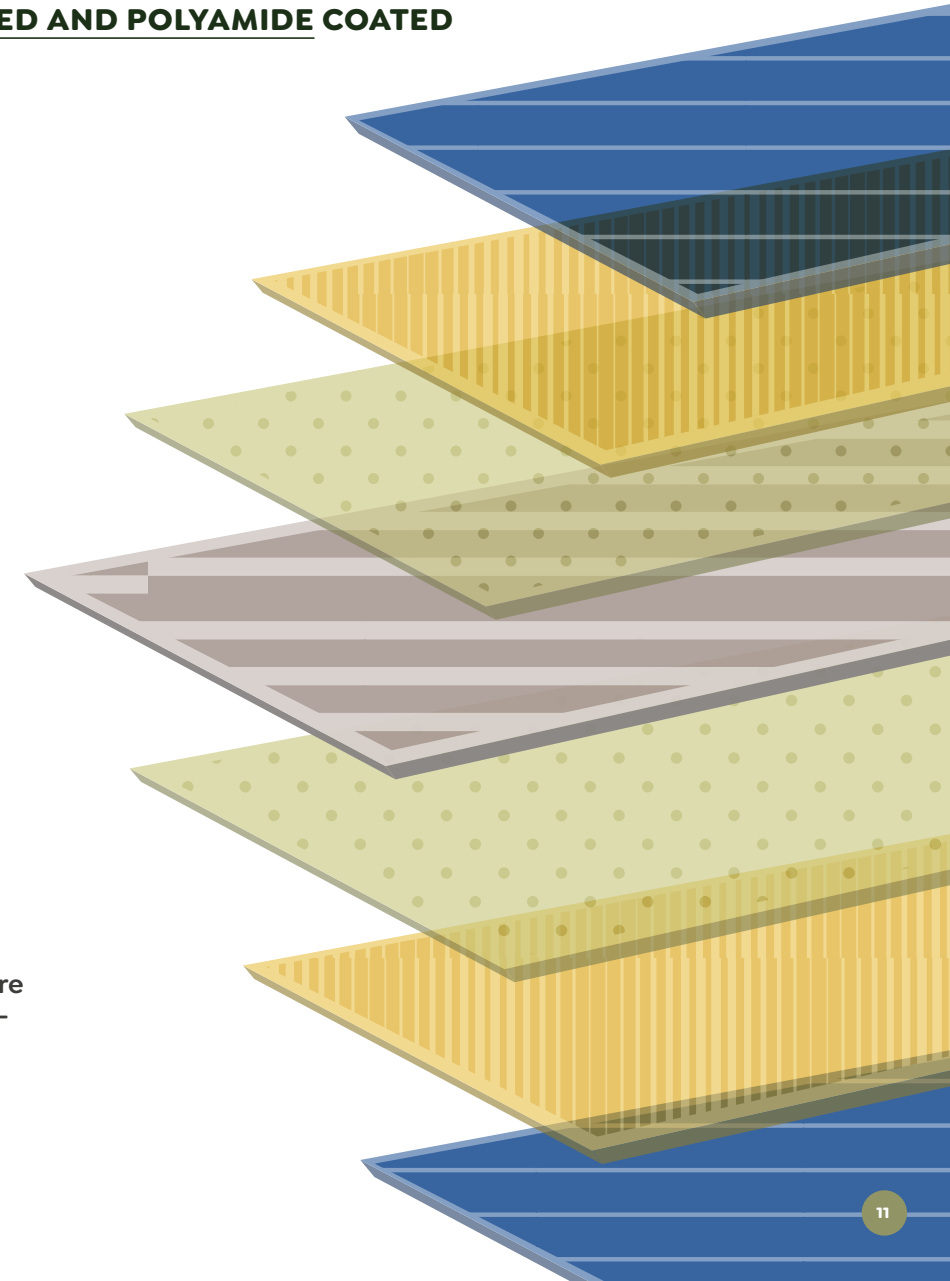


HOGGAR USES GALVANISED AND POLYAMIDE COATED METAL STEEL PANELS.

0,25 mm

- 1 EXTERIOR PAINTING 10-13 μm
- 2 VARNISHED 5 μm Pa
- 3 GALVANISED 100-120 g/m^2
- 4 STEEL PLATE 0,23 MM
- 5 GALVANISED 100-120 g/m^2
- 6 VARNISHED 5 μm Pa
- 6 INSIDE PAINTING 7-9 μm

The structure and door frames are manufactured with 0.6mm thickness zinc-plated steel.





Collection 2027

We still get nervous every time we launch a new product collection, as we want it to present it to you, in the best possible way. On the one hand we know that we are ready, as we have been one of the European leaders in garden storage products for several years.

On the other hand, we know that the challenge is colossal. Apart from producing quality products at a good price and shipping products all around Europe in 24/48 hours, we keep imposing ourselves sustainable rules regarding business, society and the environment. We consider these rules essential, so that our economic activity has no negative impact on future generations.

After featuring the different garden sheds, garden boxes and cabinets collections within our brand, you will have an insight on which option will work better for your home. It does not matter the amount of space you need or the type of products you want to store (garden stuff, bicycles, a small workshop, etc.), at Hoggar you will find all the solutions to fulfil your needs.



Pioneer

COLLECTION

Designed to Lead!



HOGGAR'S PIONEER range was designed to mark a before and after in the metal construction industry, combining innovation and attention to every detail. Its unique IRON CORE® structure not only facilitates assembly, but maximizes strength and supports higher roof loads. In addition, with reinforced doors, anti-theft locks and double lacquering.



We designed **PIONEER** thinking about what really matters



Strength

Combination of structural designs and different sheet thicknesses for optimal performance levels.



Innovative design

Redesign of the entire assembly system guarantees up to 20% faster assembly than similar sheds.



Build to last

Ideal selection of materials and finishes to facilitate maintenance and ensure the durability of the shelter over time.

2.

Sturdy lock

With integrated safety lock

COLOUR

ANTHRACITE

3.



Tool organiser

(optional)

4.



Double lacquered

exterior and interior ensures maximum durability

1.



Iron Core

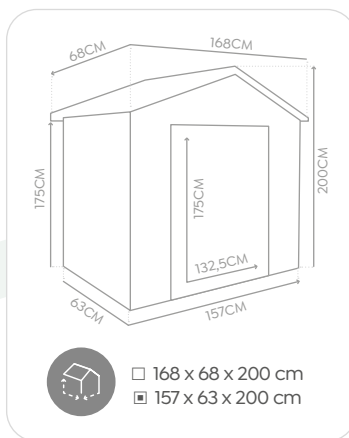
Revolutionary patented column design, unique in the market, increases the structural strength of the shelter and facilitates its assembly



Y20 1,14 m²

REF: G01ME0087 | EAN: 8445488121106

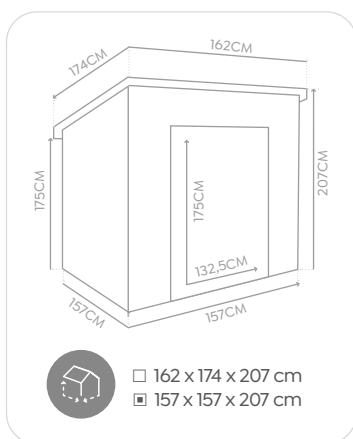
N.W: 36kg 1/1 - 184 x 53 x 21 cm



Y30 2,82 m²

REF: G01ME0082 | EAN: 8445488117505

N.W: 52kg 1/2 - 182 x 55 x 13 cm
2/2 - 186 x 26 x 17 cm



Y50 4,30 m²

REF: G01ME0083 | EAN: 8445488117512

N.W: 67kg 1/2 - 182 x 53 x 19 cm
2/2 - 182 x 27 x 19 cm

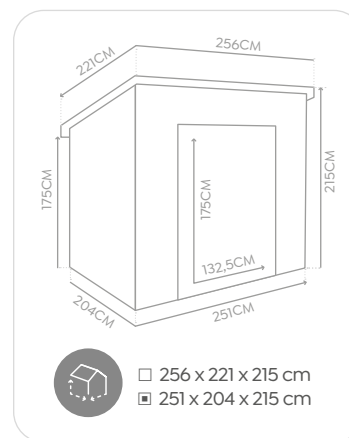


Y70

5,66 m²

REF: G01ME0084 | EAN: 8445488117529

N.W: 78kg 1/2 - 233 x 26 x 17 cm
2/2 - 231 x 53 x 16 cm



Double lacquered exterior and interior



Y90 7,94 m²

REF: G01ME0085 | EAN: 8445488117536

N.W: 94kg
1/3 - 183 x 53 x 8 cm
2/3 - 142 x 53 x 12 cm
3/3 - 190 x 27 x 19 cm



+ Premium doors
Reinforced door structure,
hinged opening and anti-theft
lock with keys included

Y130 12,46 m²

REF: G01ME0086 | EAN: 8445488117543

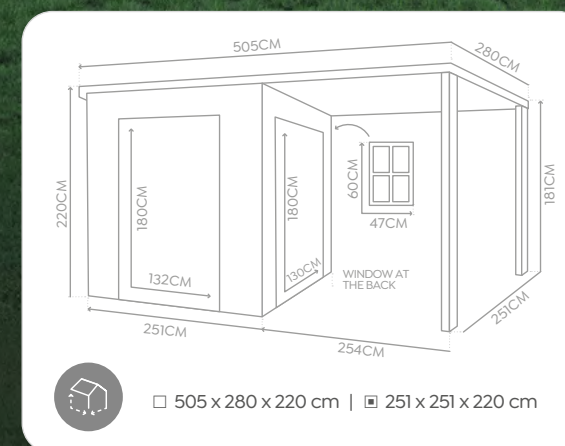
N.W: 133kg
1/3 - 182 x 53 x 8 cm
2/3 - 191 x 55 x 14 cm
3/3 - 213 x 33 x 19 cm



Y140 GALLERY 14,14 m²

REF: G01ME0092 | EAN: 8445488130801

N.W: 129kg
1/4 - 187,5 x 53 x 17,5 cm
2/4 - 153 x 53,5 x 8 cm
3/4 - 187 x 27 x 17,5 cm
4/4 - 222 x 20 x 16 cm



MODULAR ORGANIZATION SYSTEM

FOR GARDEN SHEDS

Compatible with Y20 | Y30
Y50 | Y70 | Y90 | Y130 | Y140



OPTIMIZE THE SPACE IN YOUR SHED WITH THE MOST PRACTICAL SYSTEM ON THE MARKET

Our modular system is designed to attach to the shed wall, freeing up floor space and allowing you to customize your layout. With adjustable metal shelving and a built-in tool organizer, you'll have everything within easy reach in a clean and functional environment.



IDEAL FOR:

- › Gardening tools
- › DIY accessories
- › Boxes, camping equipment, etc.
- › Home or professional use

WHY CHOOSE THIS SYSTEM AND NOT ANOTHER?

Other systems require tools and screws → **ours does not**

Others take up floor space → **Ours frees up space and gives you allows you to gain order**

Others do not integrate organization for multiple needs → **this one does**

VERSATILE SORTING SYSTEM
Triple design of trays and adjustable multi-purpose supports that you can combine according to your needs.

RESISTANT MATERIAL
Made of galvanized steel, it offers durability and corrosion resistance.

WALL FIXING
Free up the floor and take advantage of vertical space.

8kg
Trays that support up to **8 kilos** of load

ASSEMBLY WITHOUT SCREWS OR TOOLS
Quick and easy installation in 5 minutes.

MASTER SET

INCLUDE

- 1 x2 Support Rails 5x4,5x174cm
- 2 x2 Shelves of 47x23x12cm
- 3 x1 Drill Bit Holder
- 4 x1 Drill Bit Holder screwdrivers or small tools 47x7x3cm
- 5 x1 Support multi-purpose tool holder 47x5x3cm

PACKAGING: 176 x 25 x 7 cm / 5,35kg

REF: G02SA0000
EAN: 8445488125227

PRO SET

INCLUDE

- 1 x2 Support Rails 5x4,5x174cm
- 2 x4 Shelves of 47x23x12cm

PACKAGING: 176 x 25 x 7 cm / 6,05kg

REF: G01SA0001
EAN: 8445488125234

PLUS A SET

INCLUDE

- 1 x2 Support Rails 5x4,5x174cm

PACKAGING: 176 x 7 x 8 cm / 2,65kg

REF: G01SA0002
EAN: 8445488125241

PLUS B SET

INCLUDE

- 2 x2 Shelves of 47x23x12cm

PACKAGING: 73 x 2,5 x 25,5 cm / 1,80kg

REF: G01SA0003
EAN: 8445488125258

PLUS C SET

INCLUDE

- 4 x1 Drill Bit Holder screwdrivers or small tools 47x7x3cm
- 5 x1 Support multi-purpose tool holder 47x5x3cm

PACKAGING: 10 x 51 x 7 cm / 0,65kg

REF: G01SA0004
EAN: 8445488125265

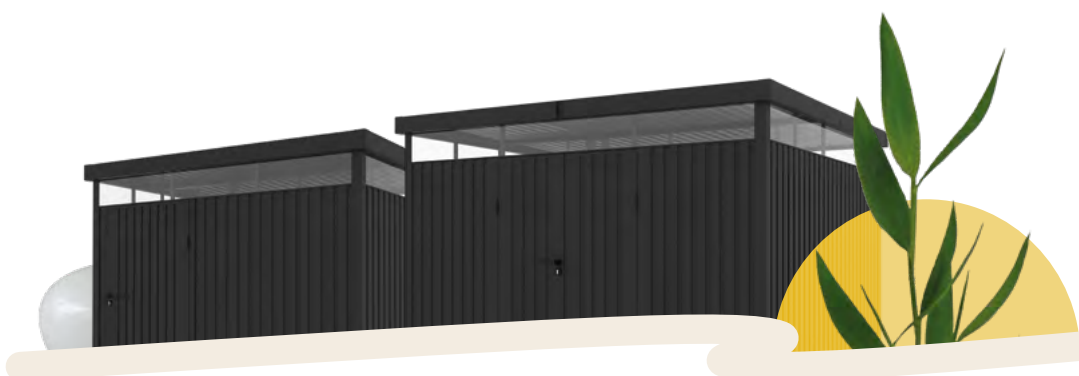


LUMEN

NEW COLLECTION

Bright inside and out

The **LUMEN COLLECTION** redefines what a metal shed can be. Its innovative perimeter skylight system lets natural light in from every angle. Built with reinforced galvanized steel and finished with high-quality details, Lumen delivers shadow-free functionality, stylish strength, and the clarity to make every outdoor corner feel alive.



We designed **LUMEN** thinking about what really matters



Includes LED light

Rechargeable magnetic warm light



Safe

With security lock and key included.



Accessibility

Large door (1.80 m high), integrated lock and premium finishes that facilitate daily use.

1.

Thickness

0.40 mm galvanized steel panels and reinforced structure with 0.60 mm frames

2.



2 Gutters

For water collection

COLOUR

ANTHRACITE

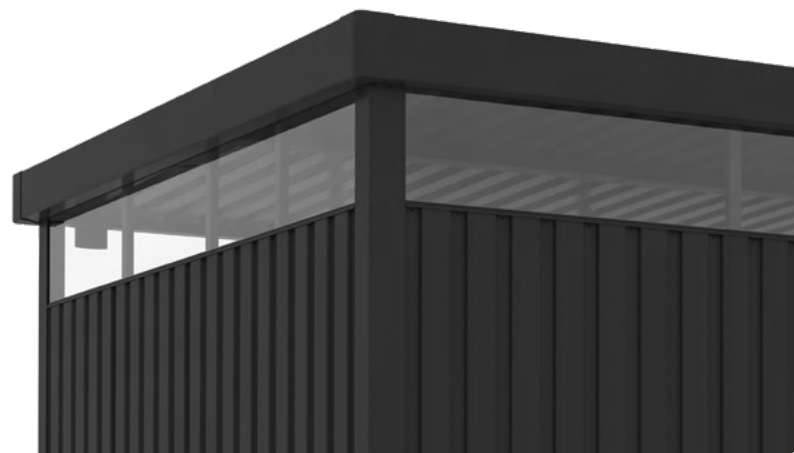
3.



Double lacquered

4. Light throughout the space

Thanks to the 360° polycarbonate perimeter skylight system, natural light enters from every angle





L5 5,23 m²

REF: G01ME0088 | EAN: 8445488126460

N.W: 138kg
1/3 - 189 x 57 x 10,5 cm
2/3 - 134 x 49 x 9 cm
3/3 - 212 x 59 x 16,5 cm



L12 12,07 m²

REF: G01ME0090 | EAN: 8445488126484

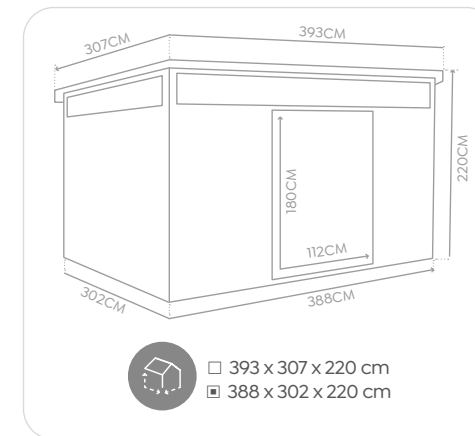
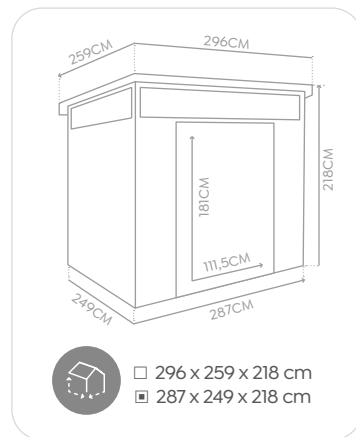
N.W: 240kg
1/4 - 220 x 63 x 15 cm
2/4 - 195 x 64 x 8 cm
3/4 - 195 x 57 x 7 cm
4/4 - 149 x 47 x 5,5 cm



L7 7,66 m²

REF: G01ME0089 | EAN: 8445488126477

N.W: 173kg
1/4 - 188,5 x 64 x 9 cm
2/4 - 188,5 x 58 x 10 cm
3/4 - 157 x 49,5 x 8 cm
3/4 - 212 x 59,5 x 17 cm



Anticorrosion and UV protection and premium double lacquered finishes





CORE

COLLECTION

Functionality
+ comfort

The **CORE COLLECTION** reflects the simplicity and functionality that a garden shed can offer you. It is no coincidence that it is our best-selling collection, as it includes the most popular sizes and colors on the market. This collection proves the idea that beauty is in simplicity, providing a reliable shelter for your garden tools and equipment.



We designed **CORE** thinking about what really matters



Range
The range with the largest number of size options, meeting all the needs of the market.

Ease of assembly
The ease of installation and assembly of the sheds makes this range the best alternative for those looking for practical storage options.

Variety
As our best-selling range, we have options in green and anthracite tones, ideal for any space.

1.

Thickness
0.25mm thick galvanized steel

2.

Ventilation
That prevent condensation

3.

Safety
Possibility to put a lock on the door

COLOURS

NEW FINISH

ANTHRACITE GREEN WOOD

GREEN / BEIGE

4.

Accessibility
Double sliding doors for greater accessibility



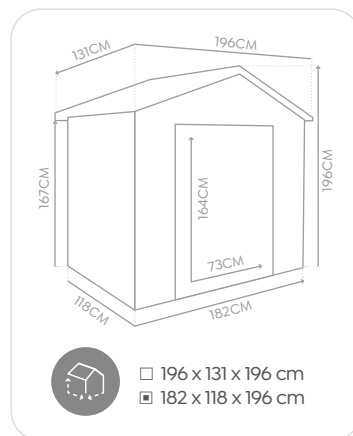


VISBY MINT & DARK & WOOD

2,57 m²

MINT/ REF: G01ME0070 | EAN: 8445488110988
DARK/ REF: G01ME0074 | EAN: 8445488111121

N.W: 44kg 1/1 - 175 x 57 x 14 cm

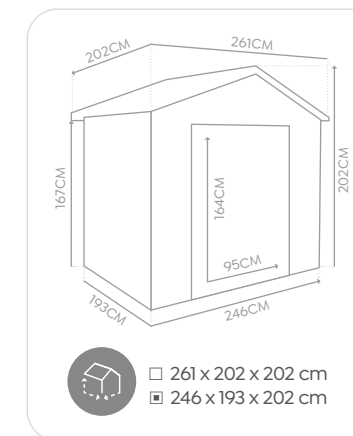


GOTLAND MINT & DARK & WOOD

5,27 m²

MINT/ REF: G01ME0072 | EAN: 8445488110995
DARK/ REF: G01ME0076 | EAN: 8445488111138

N.W: 67kg 1/2 - 175 x 57 x 11 cm
2/2 - 175 x 50 x 8 cm



KOPPEN MINT & DARK & WOOD

8,08 m²

MINT/ REF: G01ME0073 | EAN: 8445488111008
DARK/ REF: G01ME0081 | EAN: 8445488111145

N.W: 85kg 1/3 - 175 x 57 x 10 cm
2/3 - 175 x 52 x 11 cm
3/3 - 168 x 20 x 19 cm





ANJALA

15,5 m²

REF: G01ME0031 | EAN: 8435059717562

N.W: 140kg 1/2 - 183 x 77 x 15 cm
2/2 - 179 x 23 x 21 cm

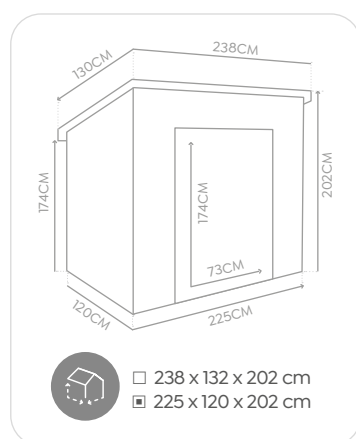


OULU DARK

3,14 m²

REF: G01ME0071 | EAN: 8445488111015

N.W: 50kg 1/2 - 185 x 53 x 9 cm
2/2 - 185 x 57 x 9 cm



LAUTERS MINT & DARK

10,20 m²

MINT/ REF: G01ME0050 | EAN: 8435059787688
DARK/ REF: G01ME0091 | EAN: 8445488130795

N.W: 93kg 1/2 - 172,5 x 75 x 10 cm
2/2 - 171 x 22 x 14 cm



+ More space, more order





SKY

COLLECTION

Design and modernity in perfect harmony

SKY is the most contemporary expression of design in the organization of the garden. Among its main features we highlight the flat roof with slope for an easy evacuation of water and waste, ventilation and double sliding door to make the most of the inside of the shed.



We designed SKY thinking about what really matters



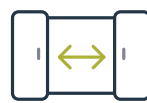
Skylights

The line includes front skylights across the full width of the sheds, allowing plenty of light and the ability to maximize internal storage space.



Easy of assembly

Clean lines and a sloped roof design provide functionality and versatility for use in multiple environments.



Accessibility

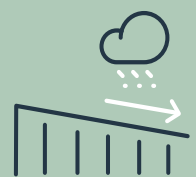
The 1.7 m high double sliding door facilitates entry and exit of stored items.

1.

Thickness

0.25mm thick galvanized steel

2.



Pent roof

to facilitate water and snowfall

COLOURS

ANTHRACITE / BEIGE

GREEN / BEIGE

3.



Safety

Possibility to put a lock on the door

4.

Includes 2 gutters

For water collection



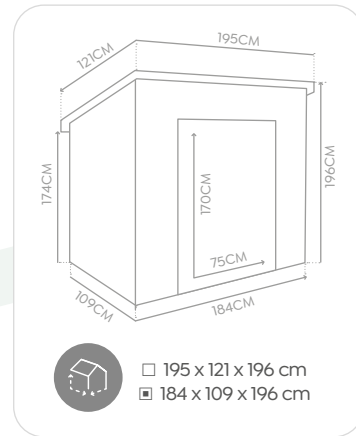


HÖFN

2,3 m²

REF: G01ME0044 | EAN: 8435059787725

N.W: 42kg 1/1 - 179 x 55 x 12 cm

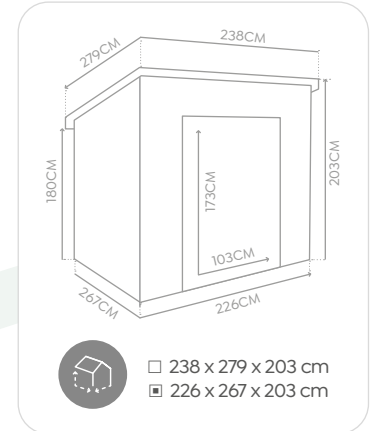


SLEVIK DARK & LEAF

6,6 m²

DARK/ REF: G01ME0032 | EAN: 8435059717593
LEAF/ REF: G01ME0094 | EAN: 8445488130825

N.W: 79kg 1/1 - 205 x 64 x 13 cm

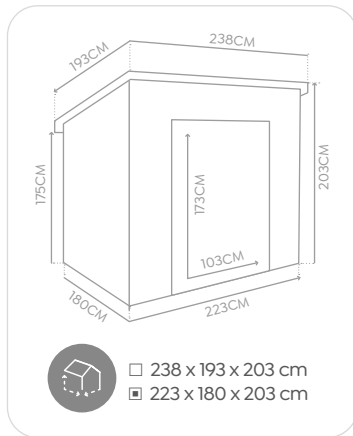


GÄNSEN DARK & LEAF

4,6 m²

DARK/ REF: G01ME0030 | EAN: 8435059717586
LEAF/ REF: G01ME0093 | EAN: 8445488130818

N.W: 63kg 1/1 - 205 x 64 x 12 cm

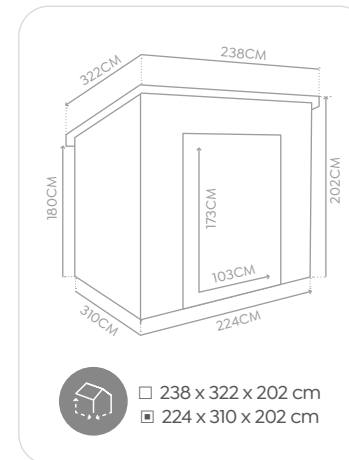


KARLSTAD

7,6 m²

REF: G01ME0080 | EAN: 844548811190

N.W: 85kg 1/2 - 180 x 63 x 12 cm
2/2 - 202 x 22,5 x 13 cm

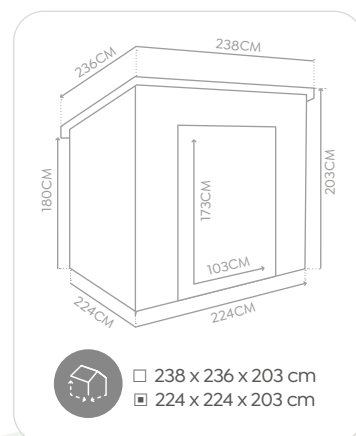


MALMÖ

5,6 m²

REF: G01ME0034 | EAN: 8435059717906

N.W: 72kg 1/1 - 205 x 64 x 12 cm





THE
HERITAGE
WOOD
collection

THE HERITAGE WOOD

NEW COLLECTION

Where the advantages are in the details

The two product lines that make up **THE HERITAGE WOOD** stand out as some of the most complete and distinctive models on the market. One features a skylight that brings in natural light while preserving privacy. The other includes full-width front vent for optimal ventilation. Discover how redefines versatility and visual appeal in garden design.



We designed **THE HERITAGE WOOD** thinking about what really matters



Uniqueness

Two ranges of unique models with unique colors, designed to meet market needs.



Details

The range combines in a single line details that really make the difference, such as the skylight and the ventilation grilles that prevent internal condensation.



Versatility

Our unique line of porch or woodsheds, ideal for storing outdoor items that do not require shelter from the elements.

1.

Thickness

0.25mm galvanised sheet metal with premium wood-look finish, treated to avoid maintenance

2.



Skylight

Solid polycarbonate panel
(depending on model)

COLOUR

WOOD IMITATION / ANTHRACITE

3.



Safety

Possibility to put a lock
on the door



4.

Woodshed

Porch for outdoor storage *(depending on model)*



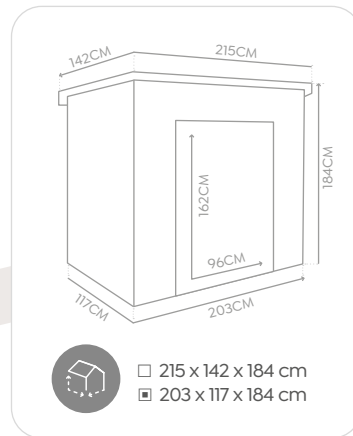


ASPEN

3,02 m²

REF: G01ME0100 | EAN: 8445488132041

N.W.: 46kg 1/1 - 172 x 70 x 11,5 cm

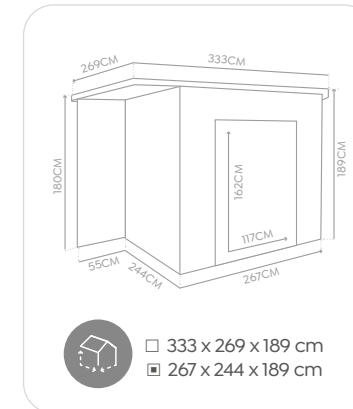


YELLOWSTONE

8,96 m²

REF: G01ME0101 | EAN: 8445488132058

N.W.: 90kg 1/2 - 171 x 70,5 x 12 cm
2/2 - 174,5 x 25,5 x 15 cm



Die-cuts vents that prevent condensation and possibility to put a lock on the door



Big size for big things

Porch or woodsheds, ideal for storing outdoor items that do not require shelter from the elements.

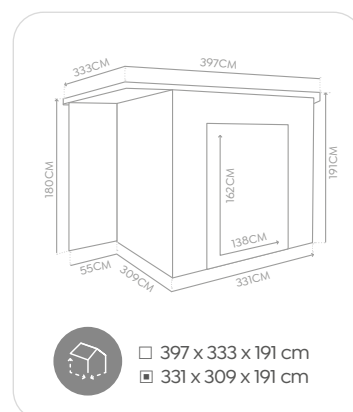


YOSEMITE

13,22 m²

REF: G01ME0102 | EAN: 8445488132065

N.W.: 118kg 1/2 - 176,5 x 78 x 12 cm
2/2 - 176,5 x 25,5 x 16,5 cm



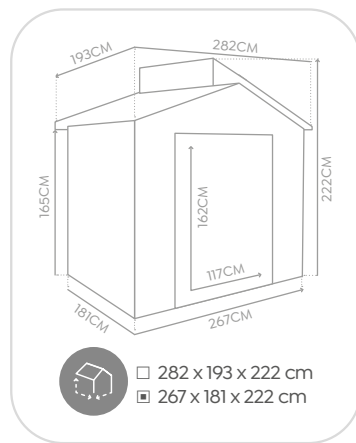


GREDOS

5,44 m²

REF: G01ME0104 | EAN: 8445488132089

N.W: 71kg 1/1 - 185 x 71 x 15 cm

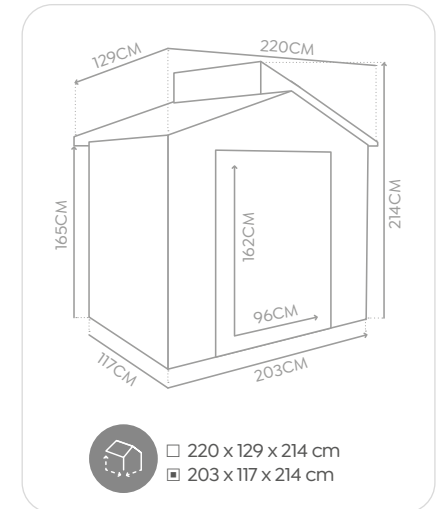


ARÁN

2,84 m²

REF: G01ME0103 | EAN: 8445488132072

N.W: 49kg 1/1 - 185 x 71 x 12 cm



+ Perfect space

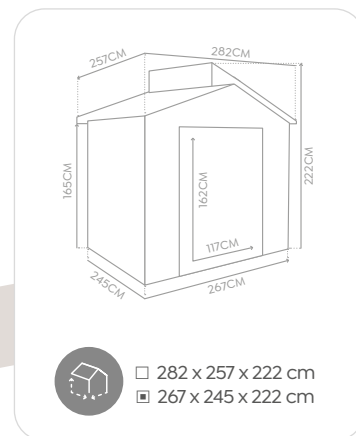


PYRENE

7,25 m²

REF: G01ME0105 | EAN: 8445488132096

N.W: 81kg 1/2 - 172 x 71,5 x 12 cm
2/2 - 251,5 x 25,5 x 14,5 cm



Hoggar in action

Hoggar is the division of the Okoru Group, specialising in garden products.

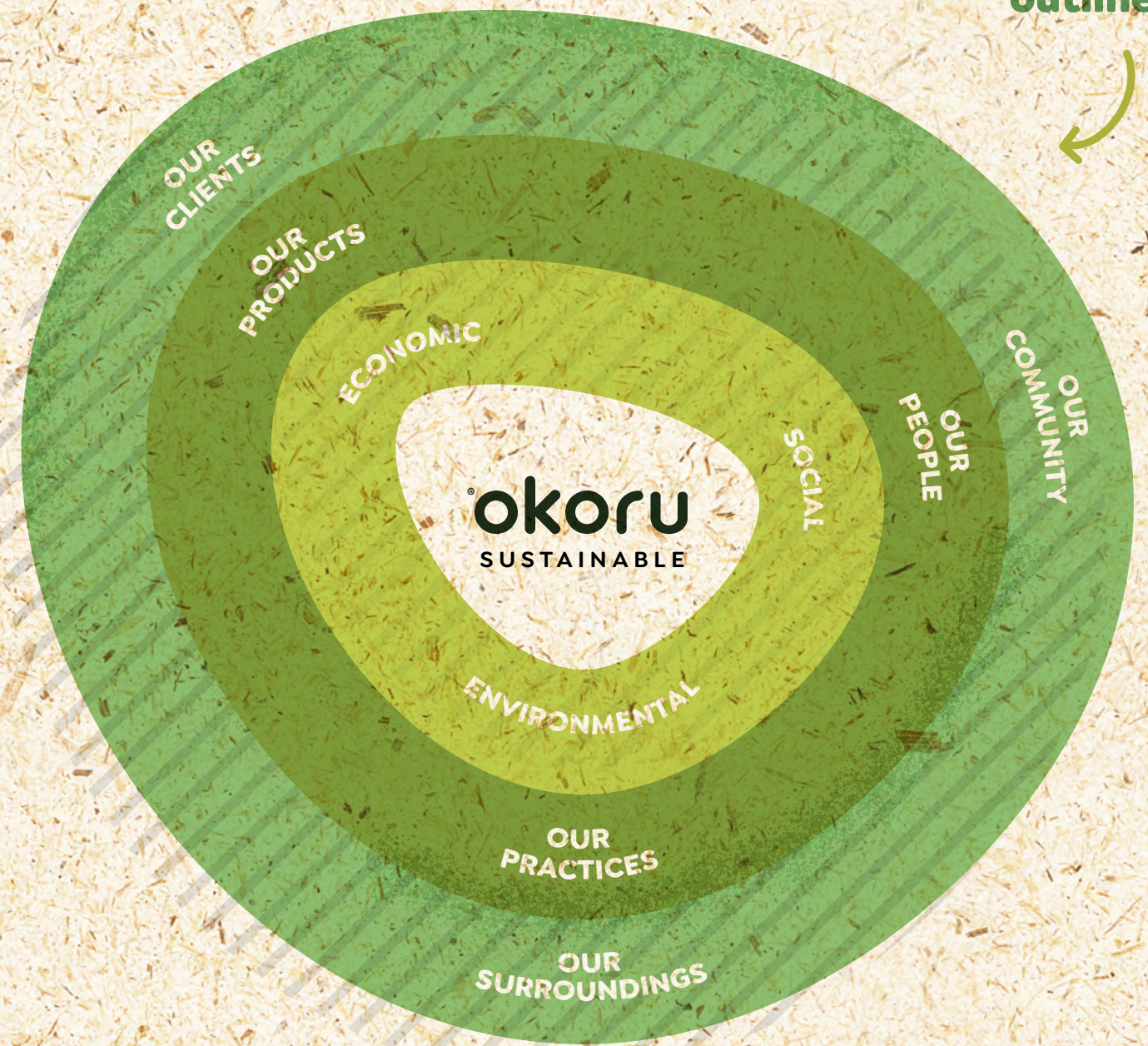


At Hoggar we are specialists in the manufacture of **100% recyclable sustainable products**, as the brand is undoubtedly born with a great environmental conscience. In addition, we have gone a step further and have decided to collaborate in reforestation projects in protected areas in Spain.



According to the previous Manifesto, Okoru Group aspires to **transform the World through Business** following the guidelines of the United Nations Global Compact for sustainable development.

To be efficient in this direction, we will implement programmes according to the following outline



Because building better also means shipping smarter



All of our packaging material comes from FSC-certified reforested forests

At Hoggar, our commitment to the environment goes beyond materials – it's in the way we pack, ship and deliver.

We use FSC®-certified cardboard packaging, sourced from responsibly managed forests. But that's only the beginning.

Thanks to our flat-pack system, every product is shipped disassembled, which allows us to:

- Use less packaging
- Reduce waste
- Save space in transport
- Cut CO₂ emissions





ALLISTER 4.0
collection



ALLISTER 4.0

COLLECTION

Built
to Last

If you are looking for a collection of strong, resistant, robust and sturdy shed without renouncing to a modern and contemporary design, this is your collection. Introducing **ALLISTER 4.0**, a collection crafted with steel 60% thicker than conventional sheds. Experience unmatched durability and elegance in a single design.



We designed ALLISTER 4.0 thinking about what really matters



Light throughout the space
The line includes front skylights across the full width of the sheds, allowing plenty of light and the ability to maximize internal storage space.

Safe
Our first range with security lock and key included.

Just ideal
All sheds in the range have an access ramp, which is an ideal detail to facilitate the entry and extraction of the items to be stored.

1. Thickness
Range developed with extra strong and extra thick galvanized steel sheet of 0.40 mm thickness

2. Sliding Skylight
Solid polycarbonate panel lets in natural light

3. Ventilation
Vent to prevent condensation

COLOUR ANTHRACITE

4. Accessibility
Hinged maxi door 173 x 86cm high with access ramp



BUILT-IN TOOL HOLDER INCLUDED

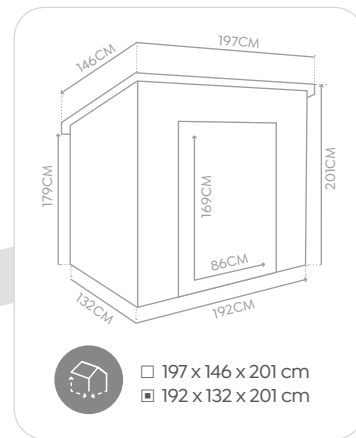


ALLISTER 3

3 m²

REF: G01ME0067 | EAN: 8445488110858

N.W: 81kg 1/1 - 205,5 x 94 x 19 cm



ALLISTER 4.5

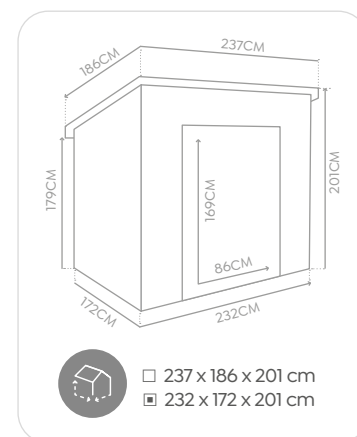
4,5 m²

REF: G01ME0068 | EAN: 8445488110865

N.W: 106kg 1/1 - 244 x 94 x 17 cm



*Tool organiser,
Quickly locate
the tools and
materials you
need*

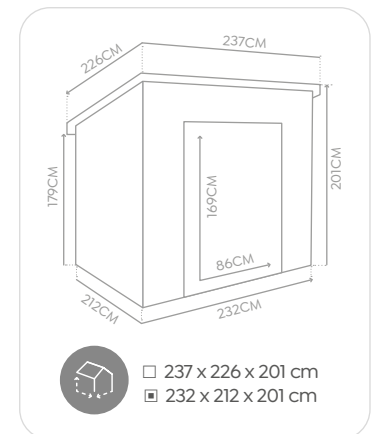


ALLISTER 5.5

5,5 m²

REF: G01ME0069 | EAN: 8445488110872

N.W: 117kg 1/1 - 244 x 94 x 20 cm



*Extra-strong
galvanised sheet
metal 0.40mm
thickness*





GARAGES

COLLECTION

Maximum
endurance,
total safeguard

Expand your home with one of **HOGGAR'S METAL GARAGES**. We present two large models; one with double hinged door and one with extra wide roll-up door. Both have security key, pedestrian access door and HOGGAR quality guarantee.



We designed **GARAGES** thinking about what really matters



Endurance
Zinc-plated steel frame for increased structural strength.

Accessibility
Clean lines and a sloped roof design provide functionality and versatility for use in multiple environments.

Safeguard
Both models include key lock to ensure maximum security.

1.

Thickness
0.25mm thick galvanized steel

2.

Pitched roof
to facilitate water and snowfall

3.

Safety
Security lock with keys
*Depending of the model

COLOUR ANTHRACITE

4.

Side door
Front door and side pedestrian door

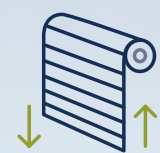
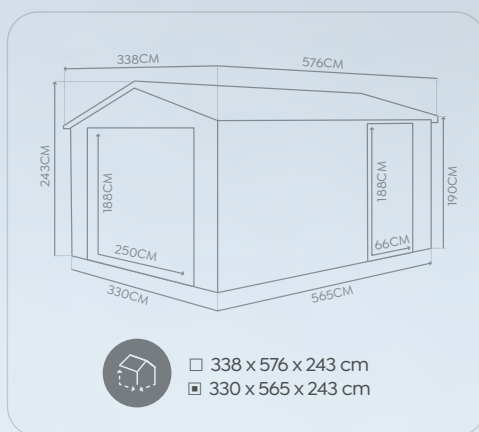




VASTRA 19,52 m²

REF: G01GM0002 | EAN: 8445488111022

Weight: 190kg
1/2 - 209,5 x 741,5 x 30 cm
2/2 - 285,5 x 27,5 x 21 cm



Interchangeable roller door extra wide 250 x 188cm



Includes 4 drains for water coll



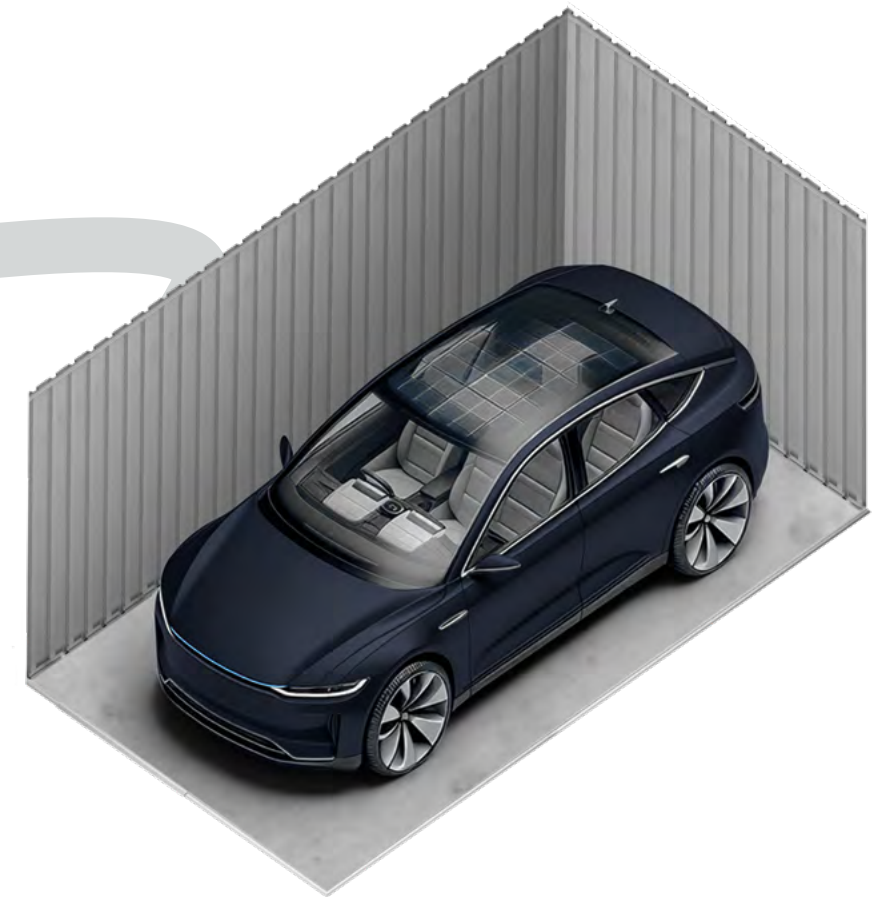
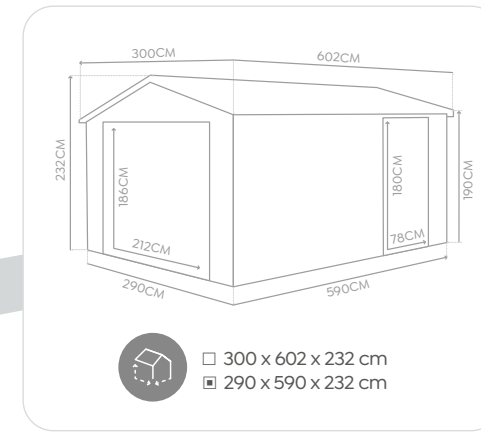
Safety security lock with keys

TONSBERG V2

18 m²

REF: G01GM0001 | EAN: 8445488142989

Weight: 248kg
1/2 - 196 x 74 x 15 cm
2/2 - 224 x 32 x 18 cm



4 vents that prevent condensation





SMALL STORAGE

COLLECTION

Smart space,
effortless
assembly

If you are looking for storage solutions for small spaces or you need to store specific things such as firewood, we invite you to know all the products in this **COLLECTION OF SMALL STORAGE**. Solutions such as cabinets, deck boxes or bike racks are some of the models that we put at your disposal with the sole purpose of making your life easier.



We designed **SMALL STORAGE** thinking about what really matters



Practicality
The range has a large number of sizes, designed for any type of space and storage needs.

Ease of assembly
All our chests and sheds are very easy to assemble and maintain, making them ideal as storage solutions.

Safe all the time
Our small storage products have a safety lock or latch lock, guaranteeing the protection of everything you want to store.

1. Thickness
0.25mm or 0.40mm galvanised sheet metal treated to avoid maintenance

2. Pent roof
to facilitate water and snowfall

3. Safety
Possibility to put a lock on the door

COLOURS

- ANTHRACITE
- GREEN
- MULTICOLOR
- NEW

4. Accessibility
Opening by means of gas shock absorbers



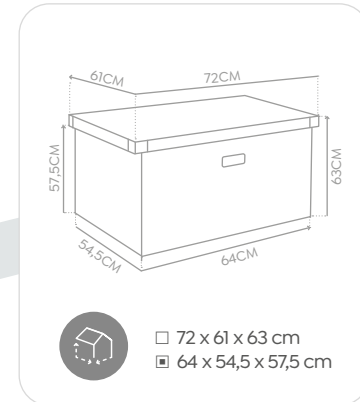


CHEST
SVEG 280

277 L

REF: G01AM0010 | EAN: 8445488111169

N.W: 12kg 1/1 - 91 x 69 x 9,5 cm

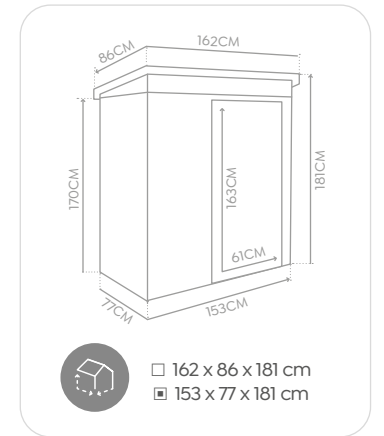


CABINET
HEDE MINT & DARK

1,39 m²

MINT/ REF: G01CM0007 | EAN: 8445488111046
DARK/ REF: G01CM0008 | EAN: 8445488111053

N.W: 27kg 1/1 - 175 x 53 x 11 cm

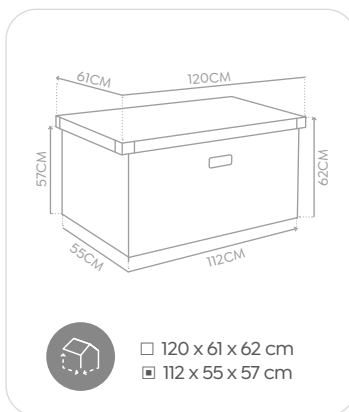


CHEST
SVEG 450

450 L

REF: G01AM0011 | EAN: 8445488111176

N.W: 20kg 1/1 - 135 x 69 x 9,5cm

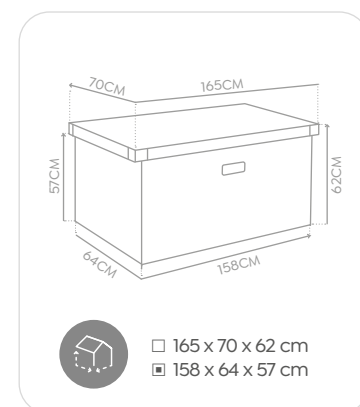


CHEST
SVEG 720

716 L

REF: G01AM0012 | EAN: 8445488111183

N.W: 27 kg 1/1 - 180 x 69 x 9,5cm



Our Storage Collection is the most compact one, all you need to store.





SHED BOX
SANSA

1.100 L

REF: G01ME0066 | EAN: 8445488093304

N.W: 24kg 1/1 - 162 x 60 x 11 cm

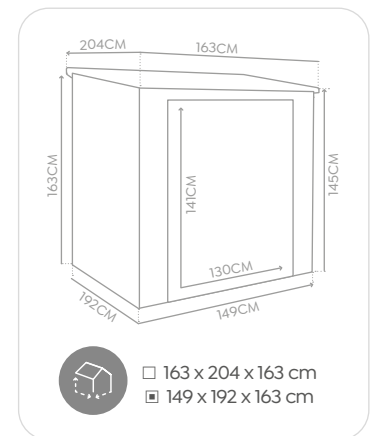


BICYCLE LOCKER
ARTH

3,2 m²

REF: G01AM0004 | EAN: 8435059717548

N.W: 58kg 1/2 - 170 x 59 x 15 cm
2/2 - 194 x 21 x 12 cm



Rays included and possibility of using a lock

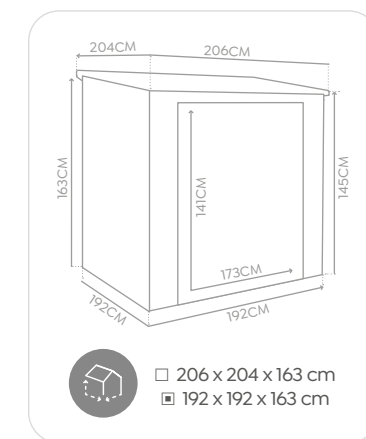


BICYCLE LOCKER
NYON

4,2 m²

REF: G01AM0005 | EAN: 8435059717555

N.W: 63kg 1/2 - 170 x 58 x 16 cm
2/2 - 195 x 22 x 14 cm

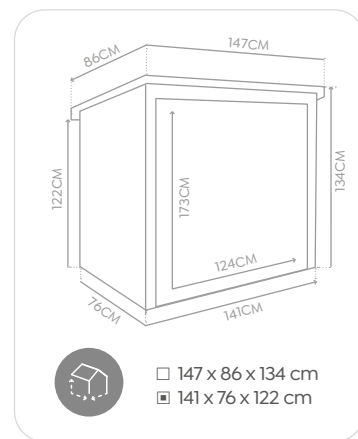


SHED BOX
ARYA

1.200 L

REF: G01CM0006 | EAN: 8435059787701

N.W: 23kg 1/1 - 155,5 x 50 x 10 cm

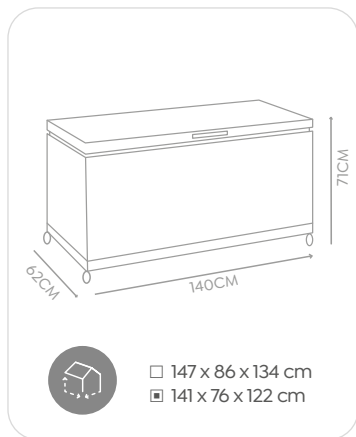




NEW
SHED BOX
STONE

1.200 L

N.W: 23kg 1/1 - 155,5 x 50 x 10 cm



Thickness
0.60mm



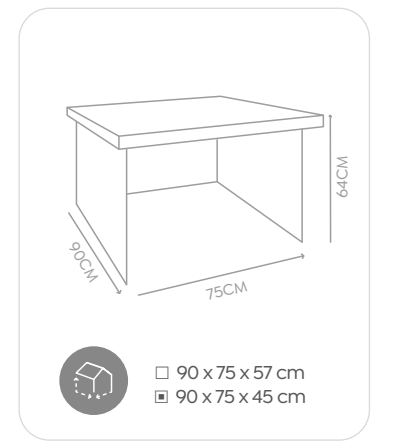
- GREEN GREY 1.0
- GREY 2.0 BLUE
- BROWN WHITE



GARDEN ROBOT
KEEPER

4,20 m²

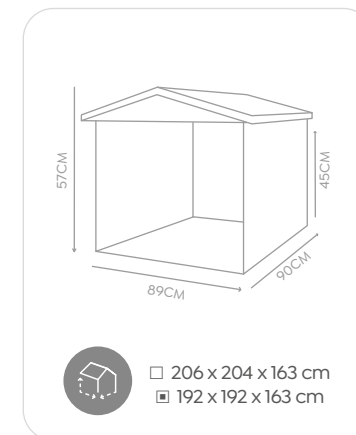
N.W: 13kg 1/1 - 99,5 x 79 x 8 cm



GARDEN ROBOT
ROVER

3,20 kg

N.W: 11kg 1/1 - 108 x 50 x 8 cm





[Dis]order

It is important to live in spaces that are pleasant and easy to manage. We often assume that we should be organised, because even if being disorganised doesn't harm you, we feel guilty for it.



Many people enjoy the logical order of things, size or colour, but this could turn into a problem or obsession and will make you feel guilty if something is out of place.

On the other hand, there are messy people who don't think that keeping things tidy is important, and other kind of people who rather prioritise other things over organization.

A professor at MIT in the 1980s created the classification pilers and filers to distinguish those people who love to be tidy from those who don't. We just need to look at our colleagues' desks, our children's bedrooms or our neighbours' gardens to know which kind of people are they.

Whether you are a follower of the Japanese Marie Kondo, author of the book "The Magic of Tidying Up" and global

guru of domestic tidiness, or you are one of those who feel comfortable in their own mess, you will surely agree that there is nothing, as perfect order. There is only one classification of order for each person according to their lifestyle, priorities or time.

Perhaps the solution is to find our own disorderly order or your own ordered disorder, as it is the one that will allow you to live a quiet, simple, peaceful and productive life. An order in our own way.

And while you decide which kind of order you prefer... we'll be here.

Hoggar team, leaders in tidying up gardens.

AS THE POET PAUL CLAUDEL SAID:
"Order is the pleasure of reason, but disorder is the delight of the imagination"





What Defines Our Resin Sheds

R

RESIN SHEDS COMBINE STRENGTH, LIGHTNESS AND STYLE IN ONE SMART SOLUTION.

They're ideal for everyday use: no need for varnishes or special treatments, and they stay looking great with just the occasional clean. Their sturdy structure stands up to rain, sun and time without warping or fading. Available in a wide range of sizes and designs, they fit easily into any garden or terrace.

ADVANTAGES OF RESIN SHEDS



LIGHTWEIGHT YET STRONG RESISTANT



EASY TO CLEAN AND LOW MAINTENANCE



100% RECYCLABLE MATERIAL



WEATHER- AND CLIMATE-RESISTANT



SIMPLE, INTUITIVE ASSEMBLY



Easy to use, built to last, and always ready to make your life simpler



UV SHIELD PROTECTION

All our resin sheds are made with UV-treated materials and certified under ISO 4892-3, ensuring high resistance to solar radiation.

This treatment protects both the structure and the color from wear, fading, and premature aging, helping the shed retain its appearance and performance even under the most demanding outdoor conditions.





OAK

NEW COLLECTION

Naturally seamless,
beautifully
designed

OAK COLLECTION combines elegance and functionality in a new range of sheds. With an exclusive finish developed for this collection, these products are the perfect choice for your outdoor spaces. OAK brings together the aesthetics and finishes of wooden sheds with the durability, ease of assembly and low maintenance of resin sheds.



We designed **OAK** thinking about what really matters



Looks

New finish to perfectly complement your home.



Durability

We focus on strong materials, smart designs and ease of installation to bring you quality and comfort in every detail.



Functionality

We know that every home has different needs, so we create solutions that range from dog houses to an ample selection of garden sheds.

1.

Real wood finish

16 mm thick double-layer pp panels. It looks like real wood.

2.



Swappable side window
To allow natural light

3.



Ventilation
Vent to prevent condensation

COLOUR

WOOD IMITATION / BLACK

4.



Maintenance free

Finishes are designed to withstand all types of weather conditions

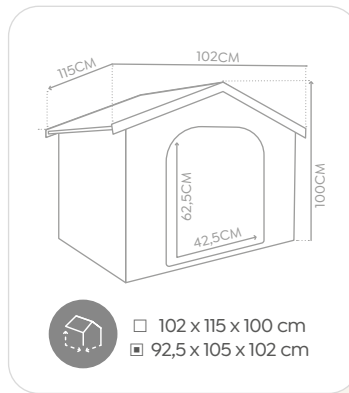




10 Dog Store

REF: G01CR0009 | EAN: 8445488126187

N.W: 18kg 1/1 - 128 x 66,5 x 20 cm



40 3,62 m²

REF: G01CR0011 | EAN: 8445488126200

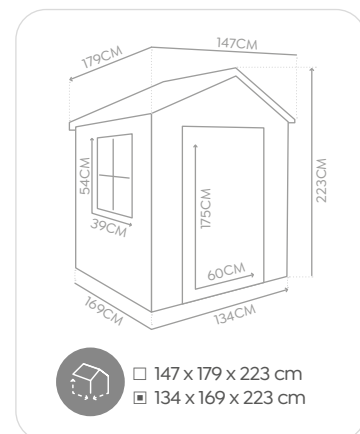
N.W: 85kg 1/2 - 181,5 x 67 x 21 cm
2/2 - 194,5 x 67 x 23 cm



30 2,70 m²

REF: G01CR0010 | EAN: 8445488126194

N.W: 64kg 1/2 - 186 x 67 x 22,5 cm
2/2 - 224,5 x 52,5 x 22,5 cm



Possibility to put a lock on the door. Floor included





50 5,06 m²

REF: G01CR0012 | EAN: 8445488126217

N.W: 104kg
1/3 - 128 x 67,5 x 19 cm
2/3 - 199,5 x 67 x 19,5 cm
3/3 - 214 x 67 x 18,5 cm

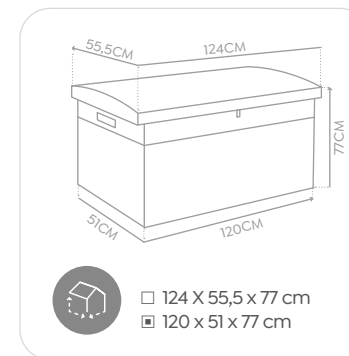


Robustness,
16 mm thick
double-layer
PP panels

MAX 475L

REF: G01AR0002 | EAN: 8445488130832

N.W: 20kg
1/1 - 149 x 67 x 16 cm



60 6,41 m²

REF: G01CR0013 | EAN: 8445488126224

N.W: 123kg
1/3 - 183,5 x 67,5 x 23 cm
2/3 - 189,5 x 68 x 23 cm
3/3 - 214 x 67,5 x 16,5 cm





NOVA

COLLECTION

Fusion of design and functionality

Discover our **NOVA** of resin sheds. With a sophisticated design, 360° skylight that maximizes the entrance of natural light and UV protection, these sheds stand out for their reinforced aluminum and PVC structure, guaranteeing durability and stability in any weather, the perfect choice for safe and stylish storage!



We designed NOVA thinking about what really matters



Design and functionality
Modern design fused with the functionality of the resin. Ideal storage solution for all your spaces.

Design and resistance
The structure of all sheds is reinforced with aluminum, guaranteeing its resistance and strength.

Design and details
The 360° skylight that characterizes this collection allows plenty of light to enter the interior of the sheds.

1. Thickness
10 mm thick double-layer PP panels

2. Skylight
Solid polycarbonate panel lets in natural light

3. Safety
Possibility to put a lock on the door

COLOUR ANTHRACITE

4. Extra protection
UV protected and waterproof enclosure

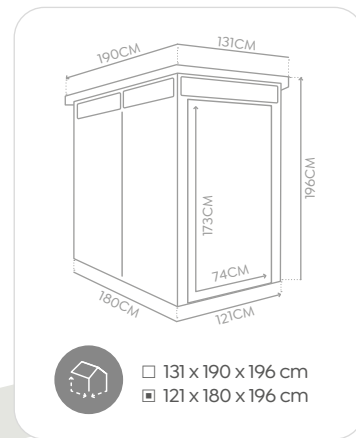




NOVA 2,47 m²

REF: G01CR0006 | EAN: 8445488119066

N.W: 44kg 1/1 - 197 x 121 x 11 cm



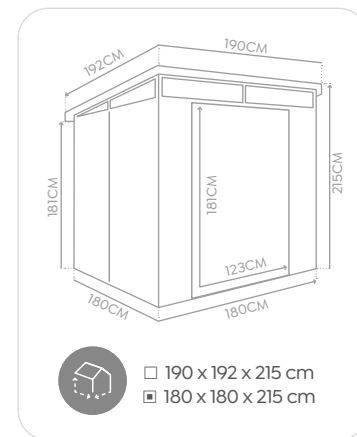
NOVA 3,65 m²

REF: G01CR0007 | EAN: 8445488119080

N.W: 54kg 1/2 - 196 x 95 x 13 cm
2/2 - 216 x 30 x 15 cm



2 Drains for water collection



NOVA 4,57 m²

REF: G01CR0008 | EAN: 8445488119103

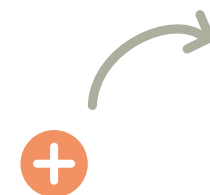
N.W: 62kg 1/2 - 196 x 95 x 15 cm
2/2 - 243 x 30 x 15 cm



FLOOR NOT INCLUDED



Reinforced aluminium and PVC structure



THE SPACE PLUS

COLLECTION

Ease +
Comfort

Simplify your life with our **THE SPACE PLUS** resin sheds! Easy to assemble, easy to maintain and with a floor included for extra stability, these sheds are the ideal choice to create extra space in your garden. Weather-resistant, they offer a durable and aesthetically pleasing solution that adapts to any outdoor space. See our new products with wood finish.



We designed THE SPACE PLUS thinking about what really matters



Easy to assemble
Save time and effort with a design for quick and hassle-free installation.

Easy to maintain
Made of high quality resin that withstands extreme weather conditions and protects your belongings.

Wood finish
The new Flat and One products in black have a new finish, giving the appearance of wood with all the benefits of resin.

1.

Thickness
12 mm thick double-layer PP panels

2.

Floor included

COLOURS

GREY / WHITE GREY / WHITE

ANTHRACITE WOOD IMITATION / ANTHRACITE

3.

Ventilation
Vent to prevent condensation

4.

Extra protection
UV protected and waterproof enclosure

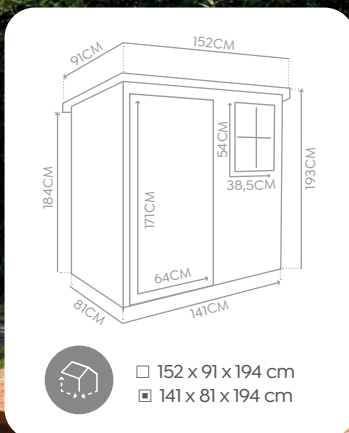




SP FLAT 1.4 LIGHT & DARK

1,37 m² REF: G01CR002 | EAN: 844548811244

N.W.: 40kg 194 x 65 x 20cm

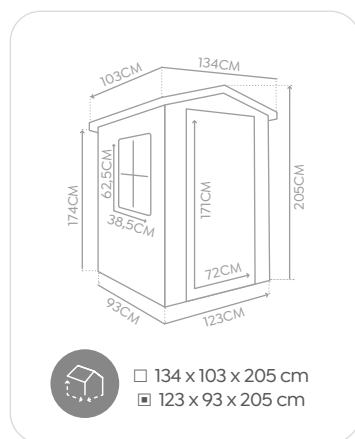


□ 152 x 91 x 194 cm
■ 141 x 81 x 194 cm

SP ONE 1.4 LIGHT & DARK

1,37 m² REF: G01CR003 | EAN: 844548811251

N.W.: 40kg 1/1 - 179 x 65 x 22 cm



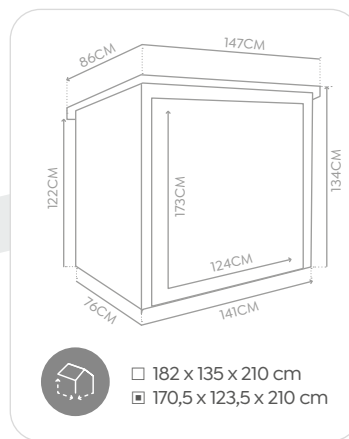
□ 134 x 103 x 205 cm
■ 123 x 93 x 205 cm



SP ONE 2.4 LIGHT & DARK

2,39 m² REF: G01CR001 | EAN: 844548811268

N.W.: 57kg 1/2 - 137 x 65,5 x 22 cm
2/2 - 180 x 52,5 x 17,5 cm



□ 182 x 135 x 210 cm
■ 170,5 x 123,5 x 210 cm

SP FLAT 2.9 BLACK & GREY

2,93 m² REF: G01CR005 | EAN: 8445488119042

N.W.: 62kg 1/2 - 126 x 66 x 32 cm
2/2 - 184 x 57 x 13 cm



□ 237 x 123 x 183 cm
■ 226 x 112 x 183 cm

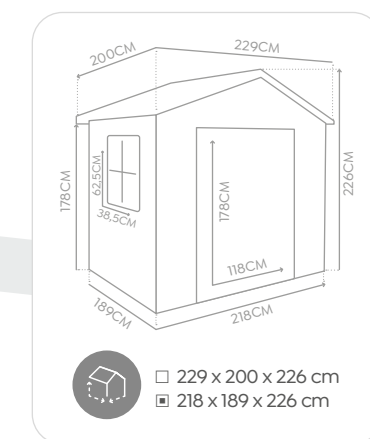


Appearance of wood and window allows natural light to enter the room

SP ONE 4.6 BLACK & GREY

4,6 m² DARK / REF: G01CR004 | EAN: 8445488119028
GREY / REF: G01CR0105

N.W.: 97kg 1/3 - 128 x 65 x 26 cm
2/3 - 128 x 65 x 28 cm
2/3 - 185 x 33,5 x 10 cm



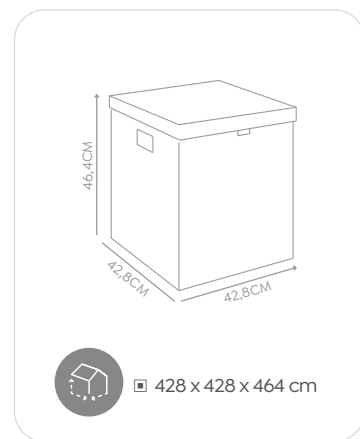
□ 229 x 200 x 226 cm
■ 218 x 189 x 226 cm



MULTIBOX M1

76 L

N.W: 37kg 1/1 - 46 x 440 x 138 cm



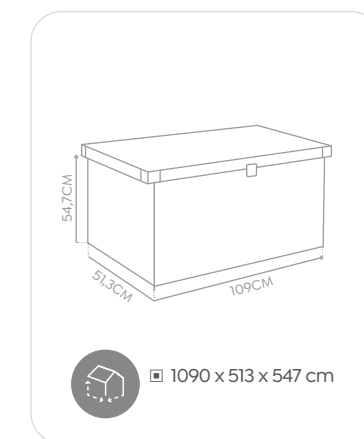
MULTIBOX M3

270 L

N.W: 65kg 1/1 - 126 x 66 x 32 cm



High loading capacity
molded handles - easy
to move comfortable
seats two adults



MULTIBOX M2

190 L

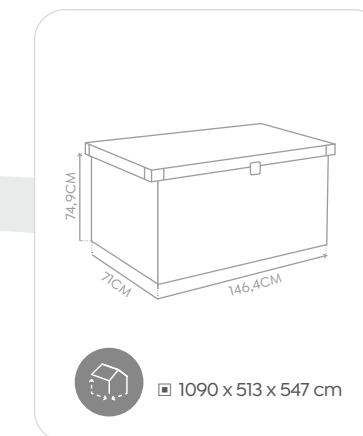
N.W: 190 L 1/1 - 976 x 473 x 103 cm



MULTIBOX M4

680 L

N.W: 98kg 1/1 - 1486 x 720 x 123 cm

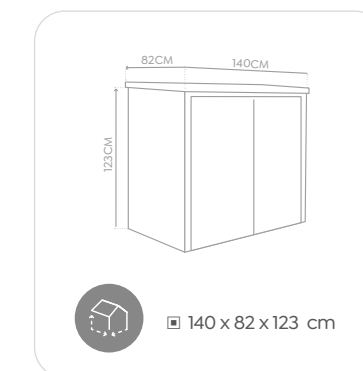


MULTIBOX M5

1.170L


REF: G01AR0001 | EAN: 8435059787787

N.W: 18kg 1/1 - 147 x 87 x 15 cm



HOGGAR NATION

Come home!



On the other side of the door everything is uncertain, rushing and stressful, but inside your house everything changes. It is our home. Where we can meet with those that we truly loves and those who love us. Where we have built our nest and our family gets stronger. Beyond the four walls and a little piece of land, our home is that place where we "are", where we belong. Our refuge, where we enjoy the freedom to be ourselves. No deception, no complications. It's as simple as that.

As Dorothy told us in The Wizard of Oz:

"Toto, we've come home! Home. And this is my room, and you're all here, and I'm not going to leave ever again, ever again. Because I love you all. And...Oh, Auntie Em! There's no place like home!"

Summary 2027 collection

Pioneer QUALITY GARDEN STORAGE

NEW MODEL

Y20	Y30	Y50	Y70	Y90	Y130	Y140 GALLERY
1,14 m ²	2,82 m ²	4,30 m ²	5,66 m ²	7,94 m ²	12,46 m ²	14,14 m ²

METAL

ALLISTER collection

METAL

ALLISTER 3	ALLISTER 4.5	ALLISTER 5.5
3 m ²	4,50 m ²	5,50 m ²

LUMEN collection

METAL

L5	L7	L12
5,23 m ²	7,66 m ²	12,07 m ²

CORE collection

NEW COLOR

VISBY MINT & DARK & WOOD	GOTLAND MINT & DARK	KÖPPEN MINT & DARK & WOOD	LAUTERS MINT & DARK	ANJALA	OULU DARK
2,57 m ²	5,27 m ²	8,08 m ²	10,20 m ²	15,50 m ²	3,14 m ²

METAL

SKY collection

METAL

HÖFN	GÄNSEN DARK & LEAF	MALMÖ	SLEVIK DARK & LEAF	KARLSTAD
2,30 m ²	4,60 m ²	5,60 m ²	6,60 m ²	7,60 m ²

THE HERITAGE WOOD collection

NEW COLLECTION

THW ASPEN WOOD	THW YELLOWSTONE WOOD	THW YOSEMITE WOOD
3,02 m ²	8,96 m ²	13,22 m ²

METAL

THW ARÁN	THW GREDOS	THW PYRENE
2,84 m ²	5,44 m ²	7,25 m ²

NOVA collection

RESINA

NOVA 2.47	NOVA 3.65	NOVA 4.57
2,47 m ²	3,65 m ²	4,57 m ²

GARAGES collection

METAL

TONSBERG V2	VASTRA
18 m ²	19,52 m ²

SMALL STORAGE collection

NEW PRODUCT

CHESTS

SVEG 277	SVEG 450	SVEG 716	STONE
277 L	450 L	716 L	500 L

CABINETS

BOXES

BICYCLE LOCKERS

GARDEN ROBOT

HEDE MINT & DARK	SANSА	ARYA	ARTH	NYON	ROVER	KEEPER
1,39 m ²	0,9 m ² 1.100L	1,1 m ² 1.200L	3,20 m ²	4,20 m ²	3,20 m ²	4,20 m ²

OAK collection

RESINA

NEW

O10 Dog Store	O30	O40	O50	O60	OMAX
	2,70 m ²	3,62 m ²	5,06 m ²	6,41 m ²	510L

THE SPACE PLUS collection

RESINA

NEW COLOR

NEW

SP FLAT 1.4 LIGHT & DARK	SP ONE 1.4 LIGHT & DARK	SP ONE 2.6 LIGHT & DARK	SP FLAT 2.9 BLACK & GREY	SP ONE 4.6 BLACK & GREY	MULTIBOX M5	M1 M2 M3 M4
1,37 m ²	1,37 m ²	2,39 m ²	2,90 m ²	4,60 m ²	1170 m ²	76L · 190L · 270L · 680L



**It will last as long as
you take care of it,**
and you will take care of it
as much as you want to



Thank you!





 **Hoggar**[®]
..... hoggargarden.com



THIS CATALOGUE IS PRINTED ON **100% RECYCLED PAPER**.
Because caring for the environment is also part of what we do every day. Thank you for joining us in this more conscious way of building a home.

